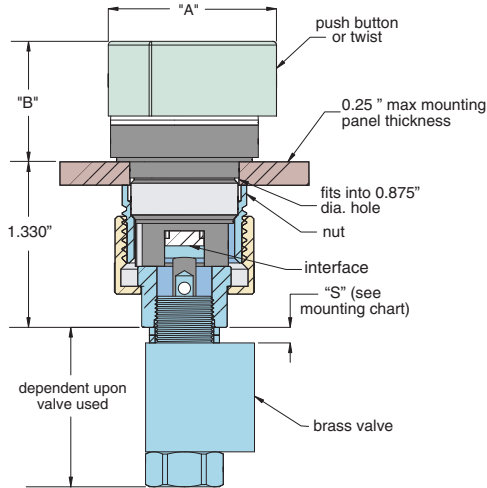


Size 22 mm Actuators



PB-22-X Adapter			
Actuator	Adapter	"A"	"B"
P22-P2F-	PB-22-P	1.200"	0.450"
P22-P2E-	PB-22-P	1.200"	0.650"
P22-P2M-	PB-22-P	1.600"	0.850"
P22-L3M-	PB-22-K	1.450"	1.000"
P22-L4M-	PB-22-K	1.450"	1.200"
P22-T2T-	PB-22-T	1.200"	0.925"
P22-T3T-	PB-22-T	1.200"	0.925"
P22-T3K-	PB-22-T	1.200"	1.000"
P22-K3K-	PB-22-T	1.200"	1.000"

Mounting Chart for Clippard Valves

The following chart gives the necessary spacing required between the shoulder of the valve and the base of the adapter. Two 1/16" spacers are furnished with each adapter.

Spacer Requirements

Valves	"S"
MAV-2, -2P, -2R, -3R, -3, -3P	None
MAVO-2, -3	
MJV-2, -3	1/8"
MJVO-2, -3	
MAV-4, -4D	None
MJV-4, -4D	
ES-1	None
FV-3, -3P, -3D, -3DP	
FV-4, -4P, -4D, -4DP	1/8"
FV-5, -5P, -5D, -5DP	



Flush Push Button. Manual Push "In". Spring Return.

Part No.	Description
P22-P2F-R	Red
P22-P2F-G	Green
P22-P2F-B	Black
P22-P2F-Y	Yellow



Extended Push Button. Manual Push "In". Spring Return.

Part No.	Description
P22-P2E-R	Red
P22-P2E-G	Green
P22-P2E-B	Black
P22-P2E-Y	Yellow



Automatic Push/Turn Mushroom. Manual push "In". Latches "In". Turn clockwise to unlatch. Spring return.

Part No.	Description
P22-L3M-R	Red
P22-L3M-G	Green
P22-L3M-B	Black



Maintained Twist 90°. Turn clockwise to latch "In". Turn counterclockwise to release. Black only.

Part No.	Description
P22-T3T-B	Black



Spring Return Twist 45°. Turn clockwise and hold for "In". Release for spring return. Black only.

Part No.	Description
P22-T2T-B	Black



Manual Push Mushroom. Manual Push "In". Spring Return.

Part No.	Description
P22-P2M-R	Red
P22-P2M-G	Green
P22-P2M-B	Black



Key Twist 90° Maintained.

(P22-T3K-B) Turn key clockwise to latch "In". Turn key counterclockwise to release. Key with-drawable in both positions. Black only.

P22-K3K-B same as P22-T3K-B except key is withdrawable in "Out" position only.

Part No.	Description
P22-T3K-B	Black
P22-K3K-B	Black



Push Key Mushroom. Manual push "In".

Automatic latches "In". Turn key clockwise to release. Spring return. Key withdrawable "Out" position only. Red only.

Part No.	Description
P22-L4M-R	Red